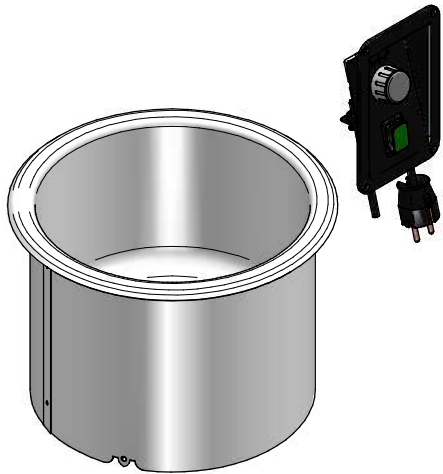


Model: 08.2054 Soup Well
 heating element 230V-350W

Dimensions:

- A = flange
- C = diameter
- E = cut out
- F = width innerpan over the handles
- G = build in height
- H = height above counter with innerpan and lid
- J = build in height with drainkit
- y x z = cut out operating panel

weight (empty): 7 kg

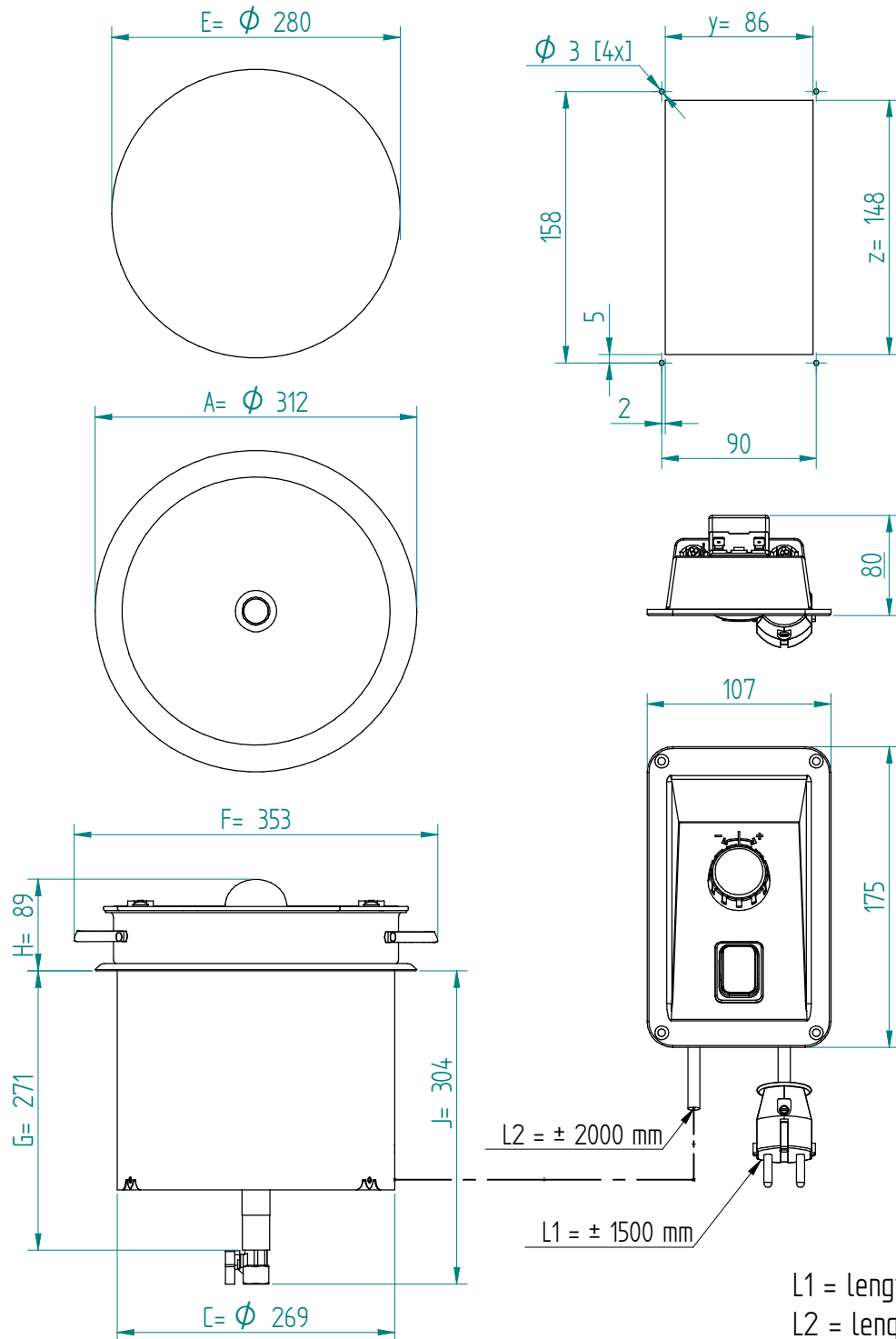


EN

VR :

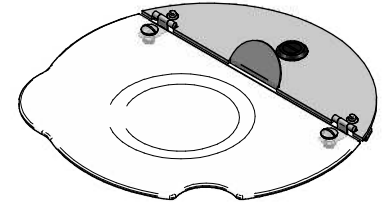
IR :

MOBILE CONTAINING

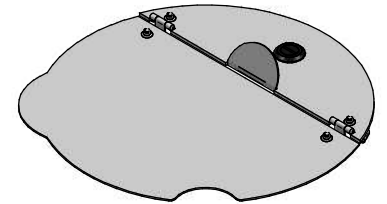


options, order separate;

Hinged lid (1/3 StSt-2/3 Glass):
 95.8229



Hinged lid (1/3 StSt-2/3 StSt):
 95.8239



Innerpan with 2 handles - 9 Liter:
 95.8235



Drainkit:
 95.8372



L1 = length cable with plug
 L2 = length cable between Soup Well and operating panel