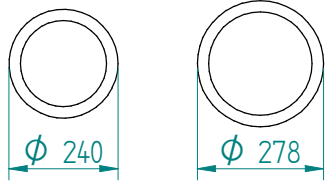


Dispenser:  
00.1143.NC DFR 280 unheated

Crockery:



from to

Dimensions:

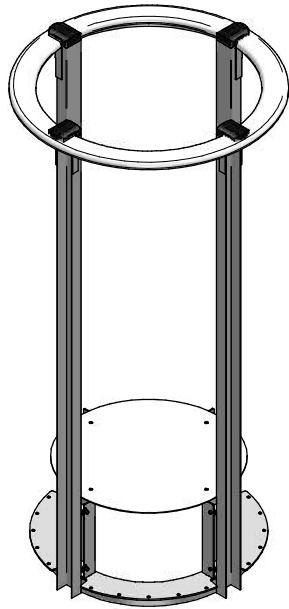
A = flange

E = cut out

H = build in height

S = effective stacking height

weight (empty): 5 kg

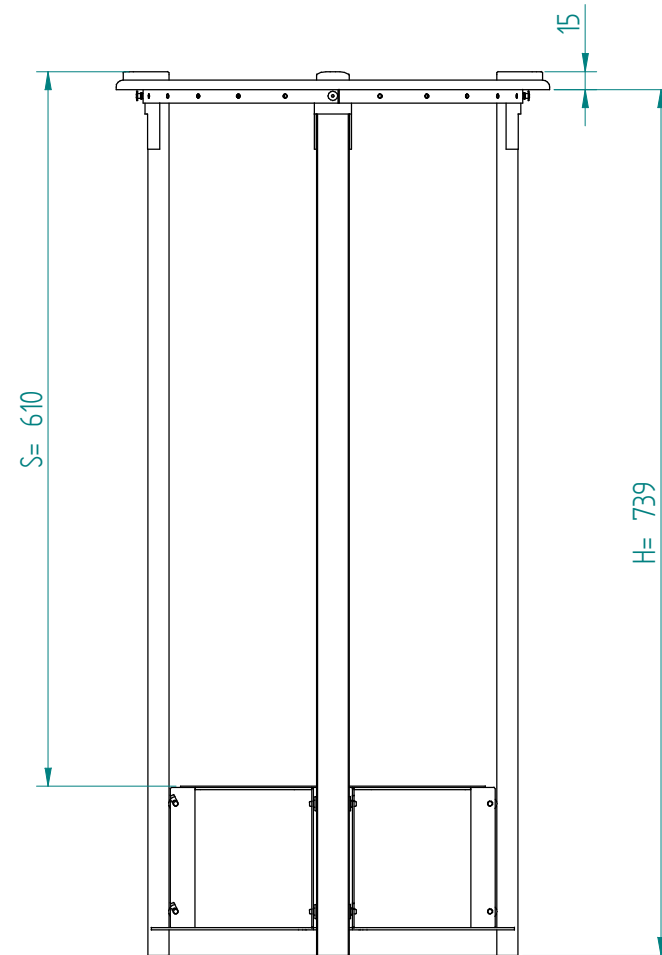
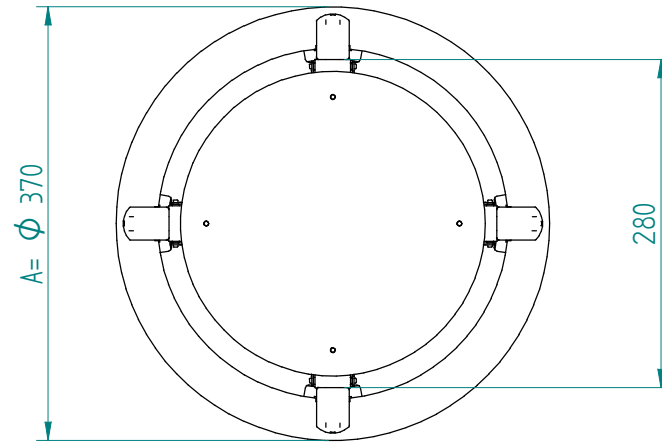


EN

VR :

IR :

**MOBILE CONTAINING**



options, order separate;  
pc cover: 91.5031

