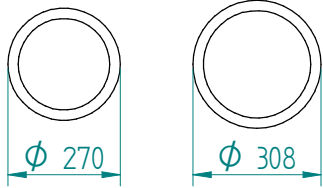


Dispenser: 02.1543.NC DFR 310 heated heating element 230V-400W

Crockery:



from $\phi 270$ to $\phi 308$

Dimensions: weight (empty): 12 kg

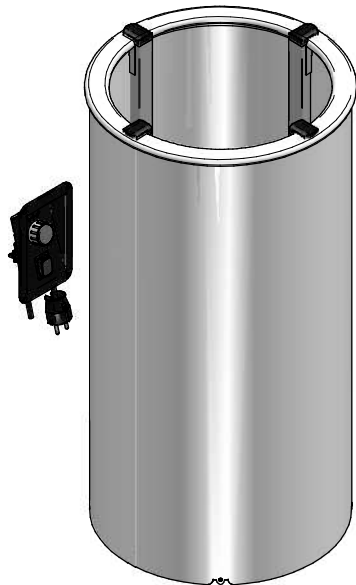
A = flange

E = cut out

H = build in height

S = effective stacking height

y x z = cut out operating panel

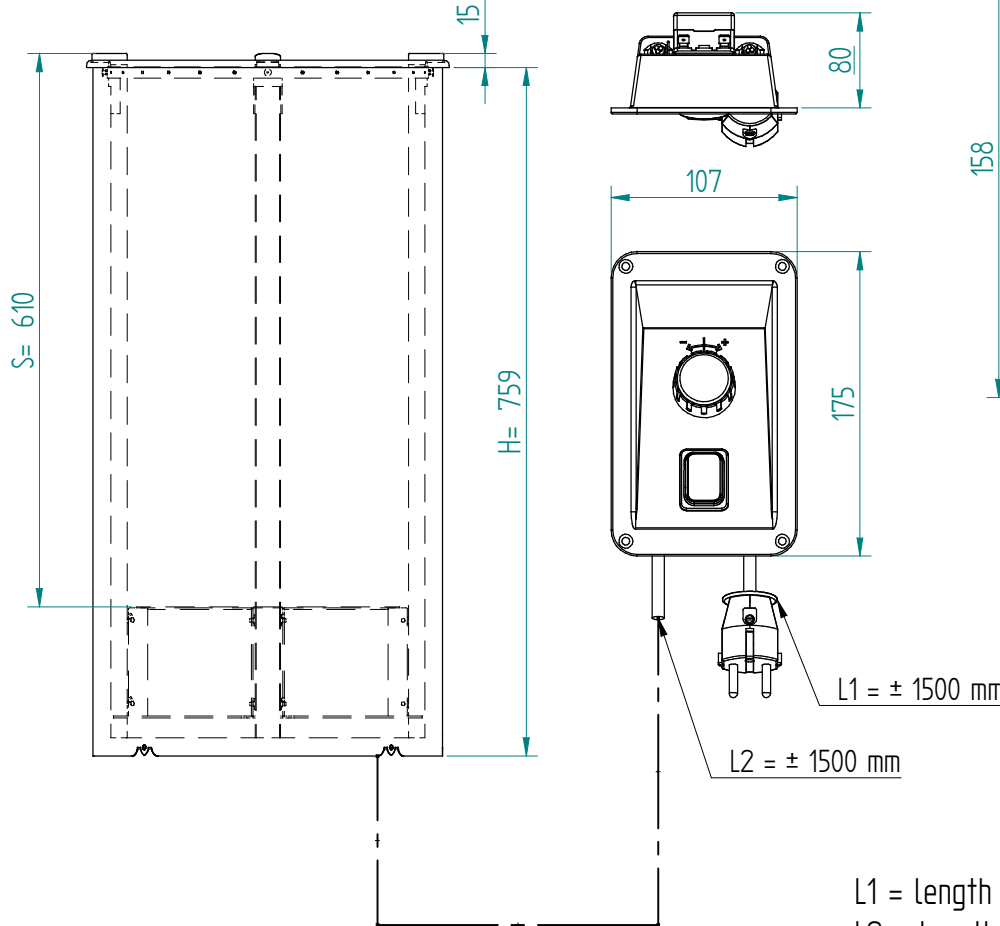
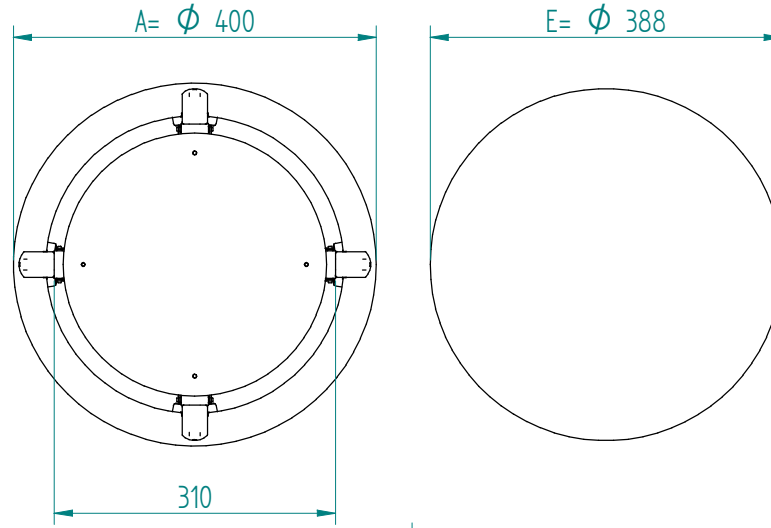


EN

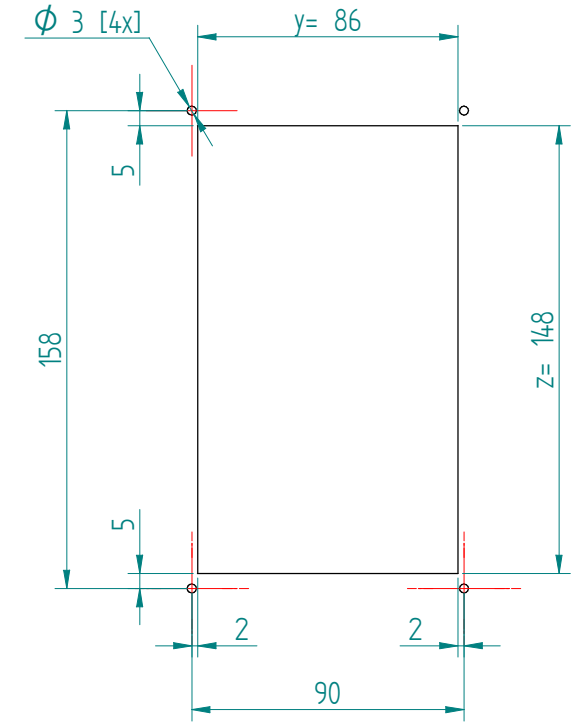
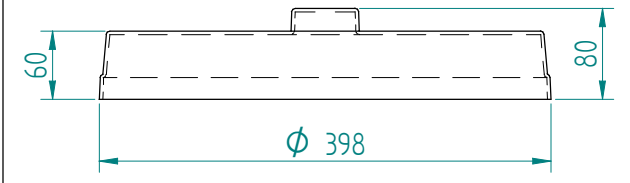
VR :

IR :

MOBILE CONTAINING



options, order separate;
pc cover: 91.5041



L1 = length cable with plug
L2 = length cable between tube and operating panel