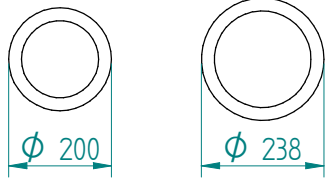


Dispenser: 02.1523.NC DFR 240 heated
heating element 230V-400W

Crockery:



from to

Dimensions: weight (empty): 9 kg

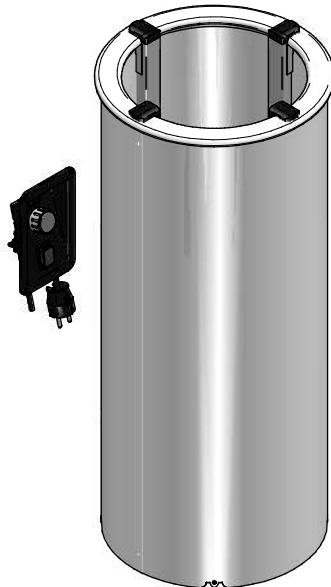
A = flange

E = cut out

H = build in height

S = effective stacking height

y x z = cut out operating panel

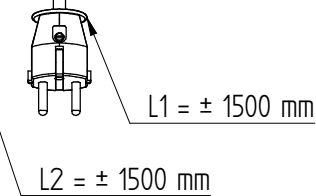
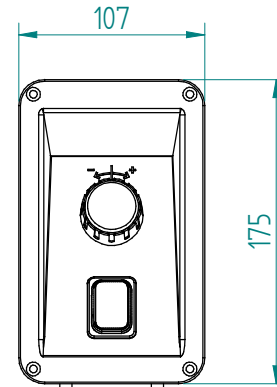
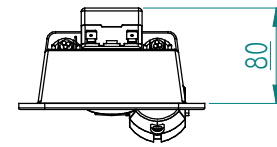
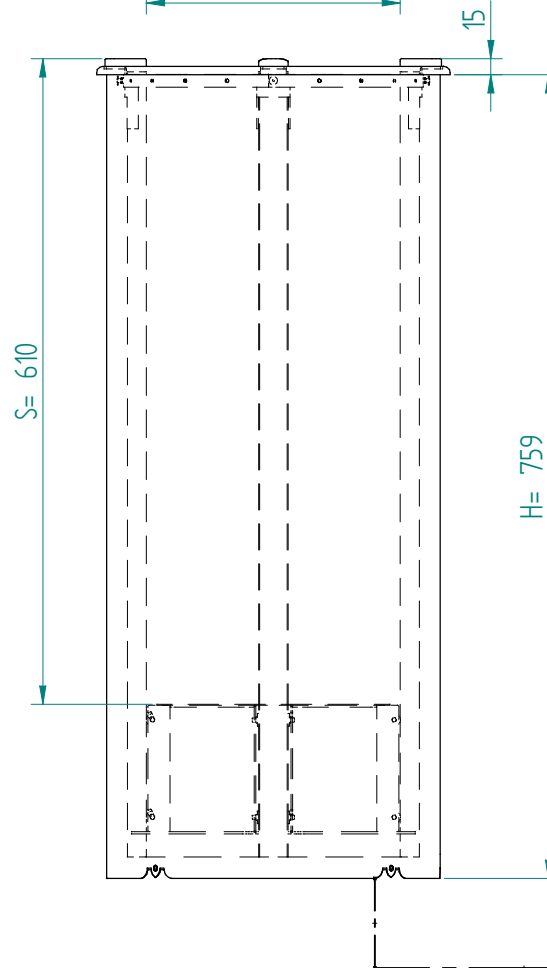
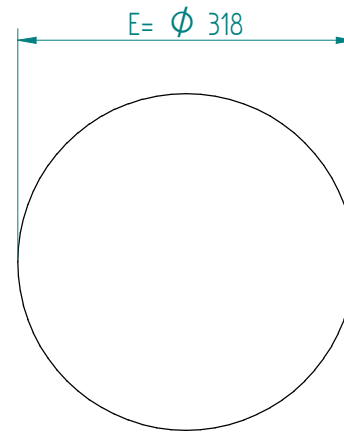
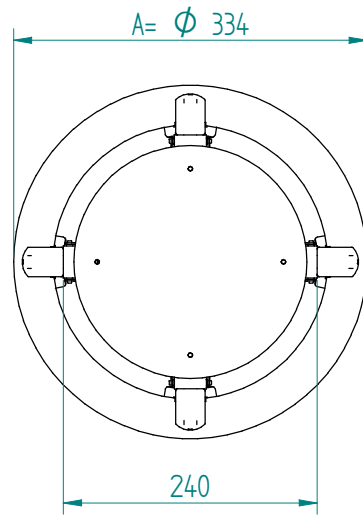


EN

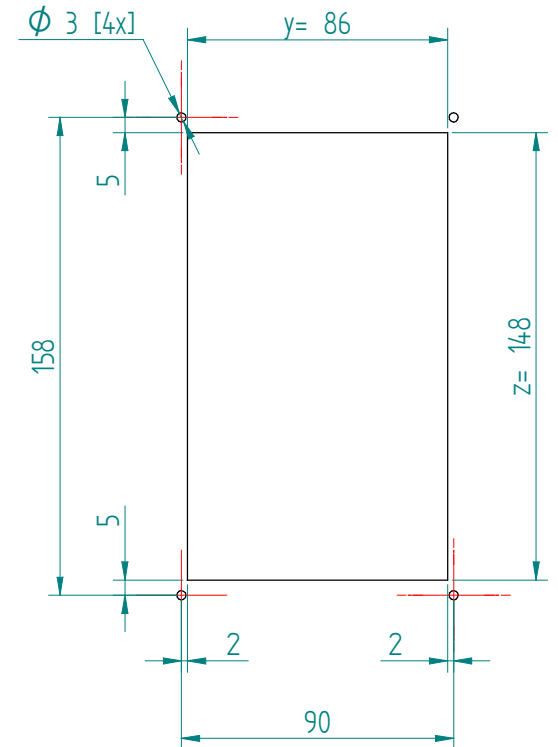
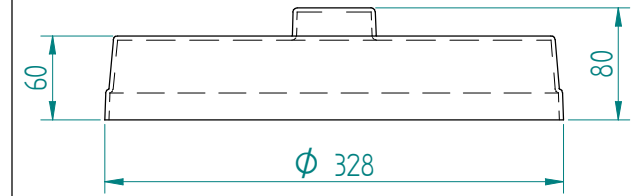
VR :

IR :

MOBILE CONTAINING



options, order separate;
pc cover: 91.5021



L1 = length cable with plug

L2 = length cable between tube and operating panel