

Dispenser:

42.3540

DFR 2x 530/325 unheated

Dimensions:

A x B = trolley, excl. corner bumpers

E x F = trolley, incl. corner bumpers

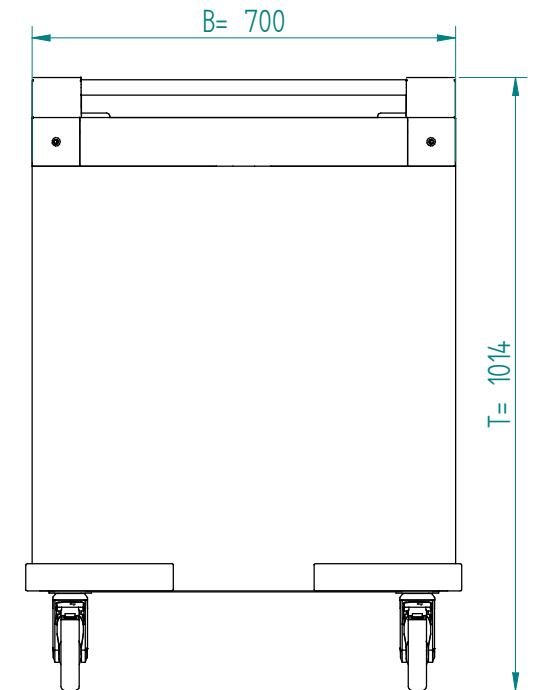
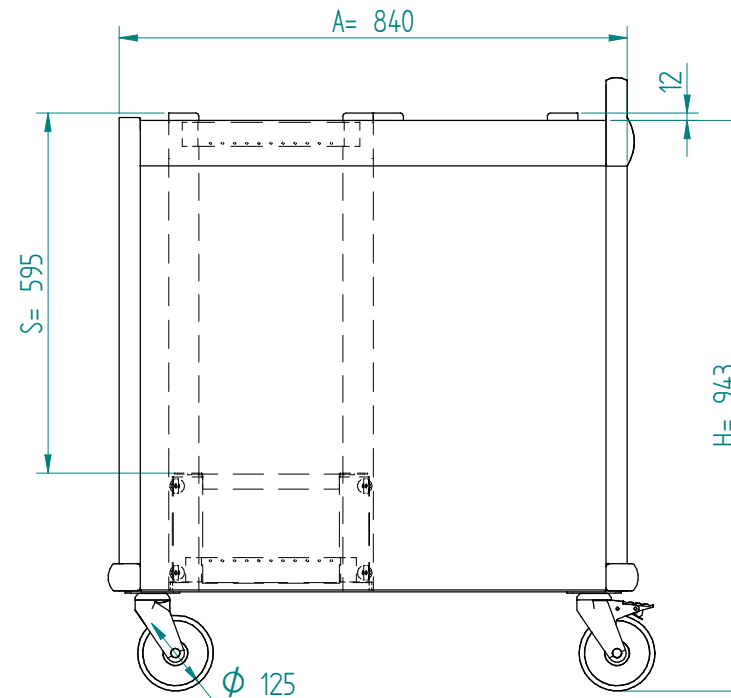
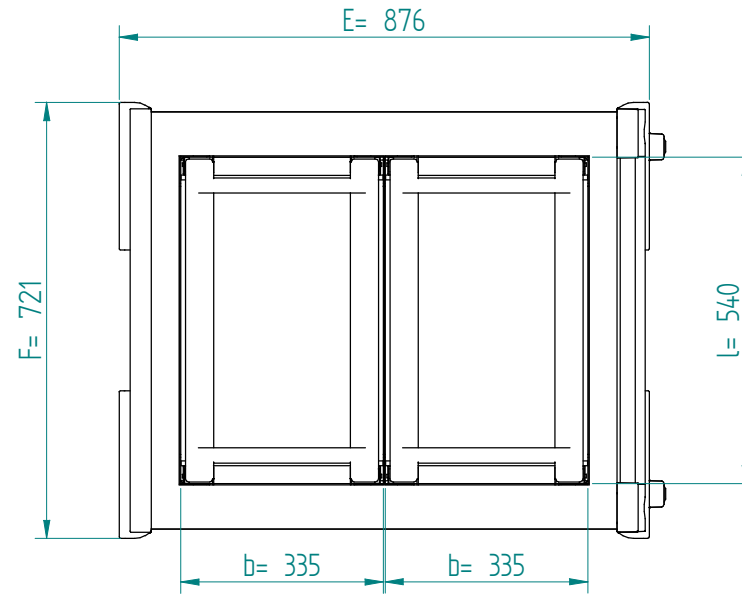
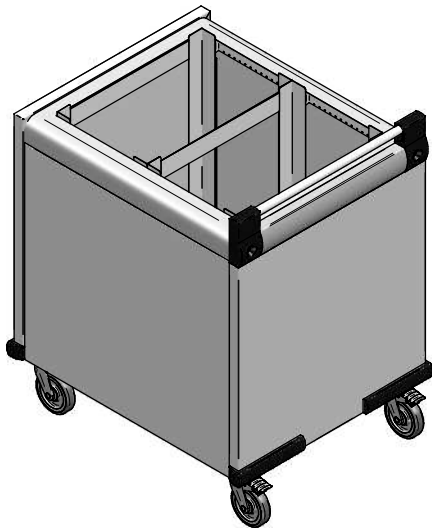
l x b = tube internal

H = trolley height

S = effective stacking height

T = height with push bar

weight (empty): 59 kg



EN

VR :

IR :

**MOBILE CONTAINING**

4 swivel castors, 2 with brake