

Dispenser:

45.3551

DBS 335/540

Dimensions:

A x B = trolley, excl. corner bumpers

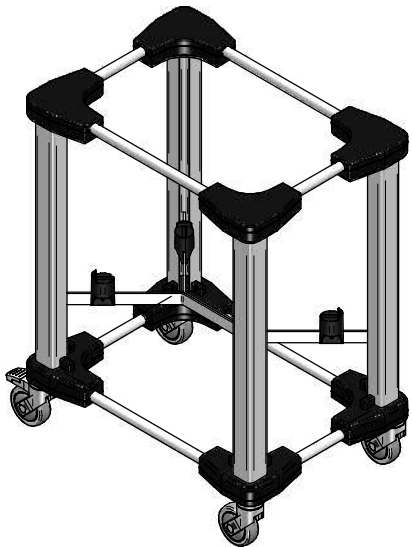
E x F = trolley, incl. corner bumpers

l x b = tube internal

H = trolley height

S = effective stacking height

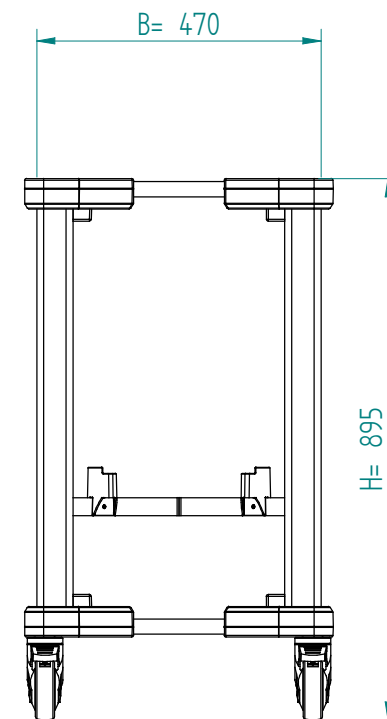
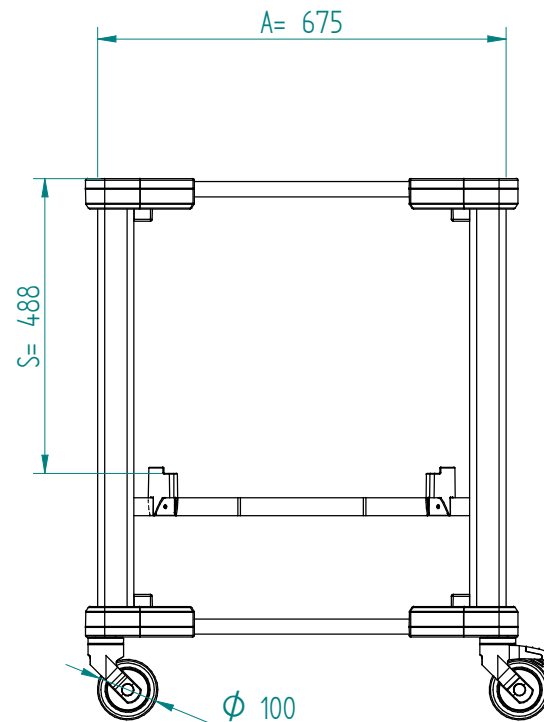
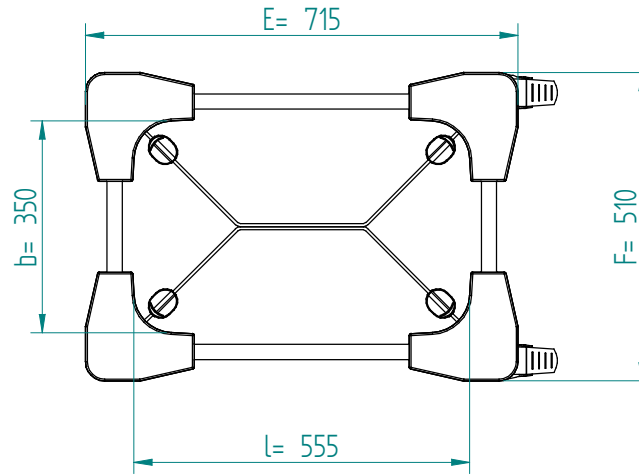
weight (empty): 20 kg



EN

VR :

IR :



**MOBILE CONTAINING**

4 swivel castors, 2 with brake