

Dispenser:

45.3555

DBS 500/500

Dimensions:

A x B = trolley, excl. corner bumpers

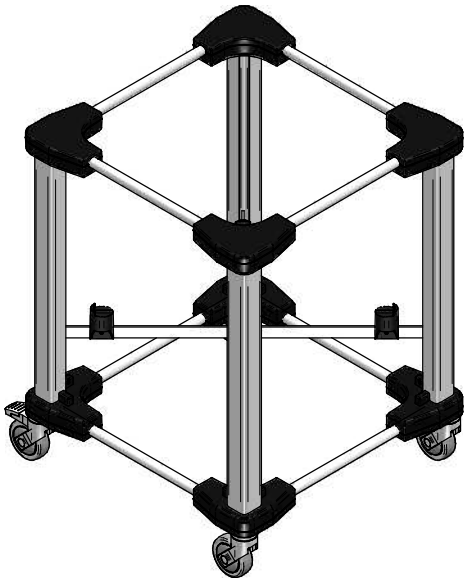
E x F = trolley, incl. corner bumpers

l x b = tube internal

H = trolley height

S = effective stacking height

weight (empty): 20 kg

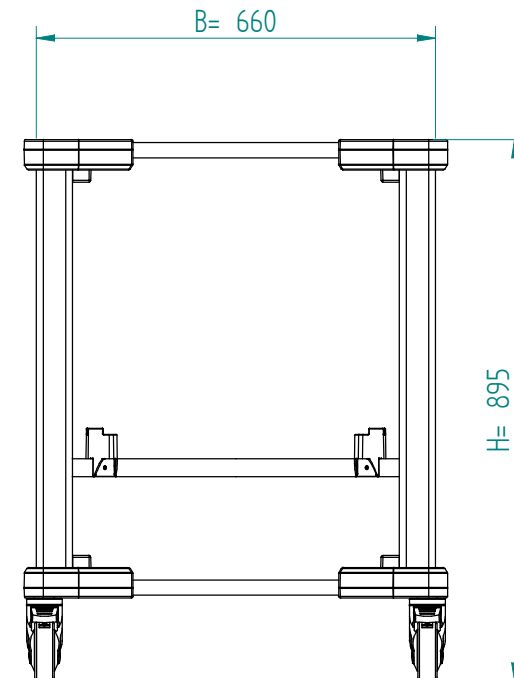
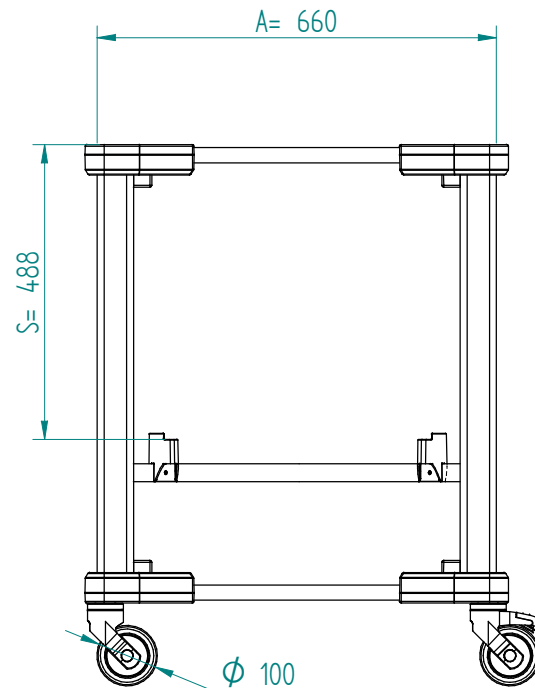
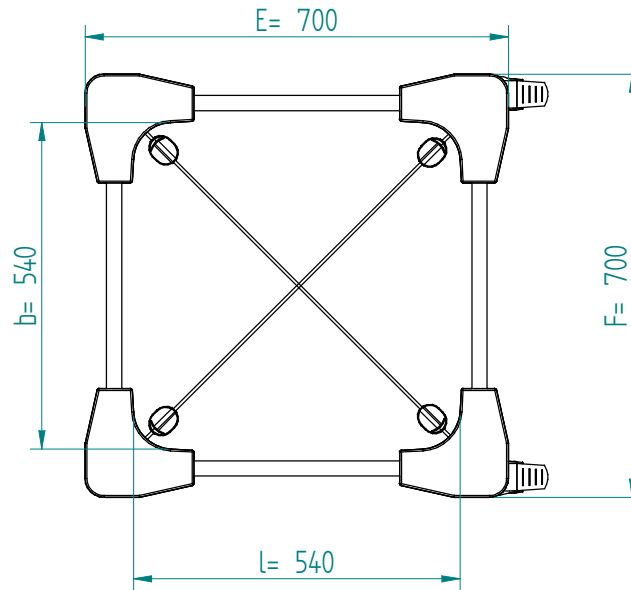


EN

VR :

IR :

MOBILE CONTAINING



4 swivel castors, 2 with brake