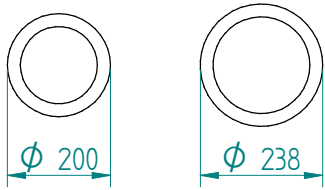


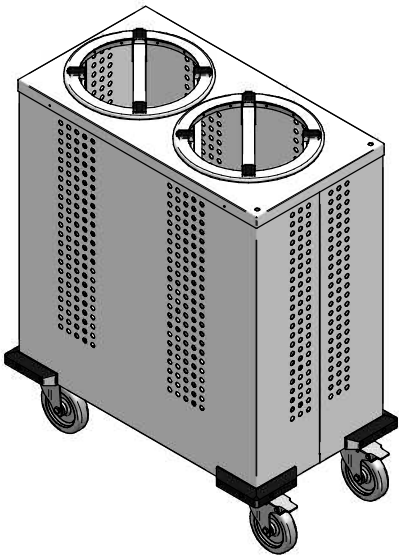
Dispenser:  
11.2324 2 TN-MS 240 cooling

Crockery:



from  $\phi 200$  to  $\phi 238$

Dimensions: weight (empty): 32 kg  
A x B = trolley, excl. corner bumpers  
E x F = trolley, incl. corner bumpers  
H = trolley height  
S = effective stacking height  
T = height with push bar

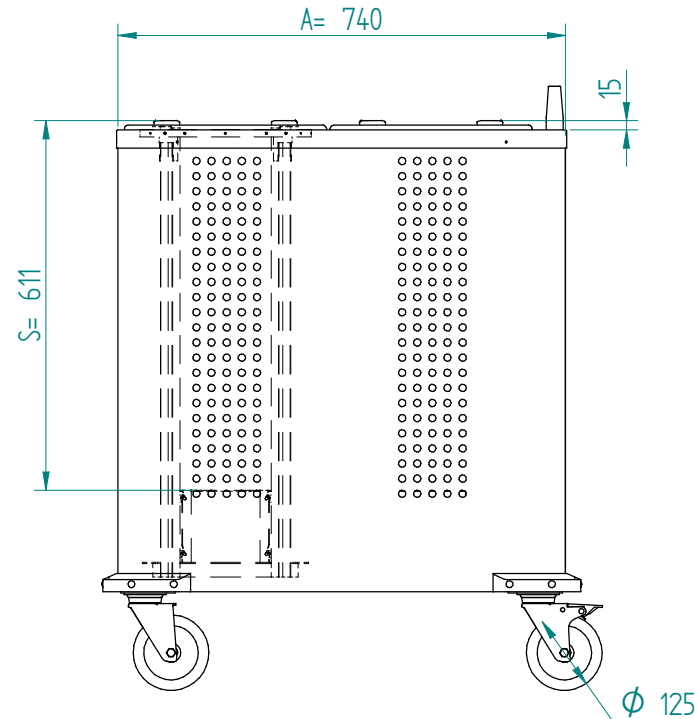
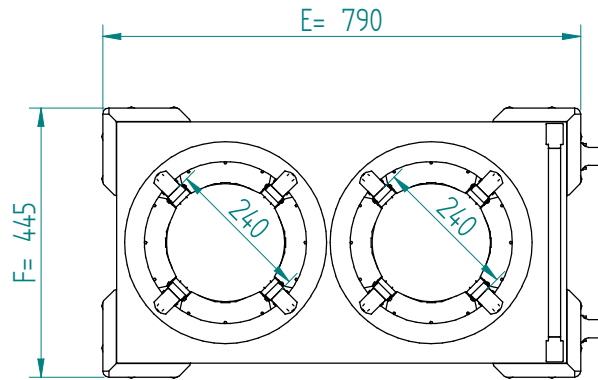


EN

VR :

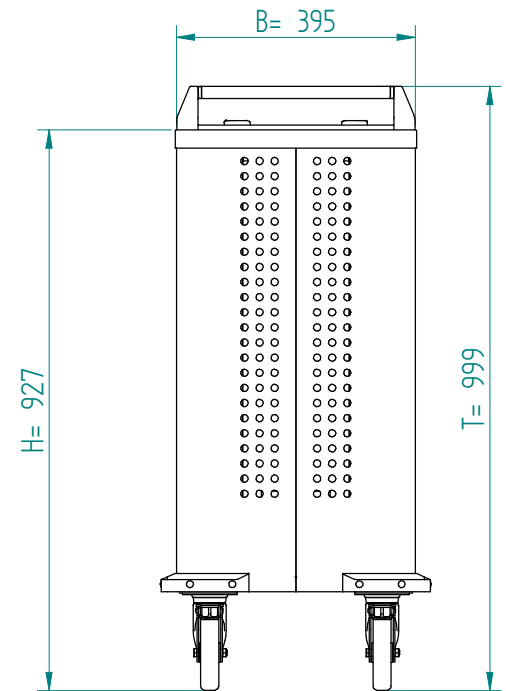
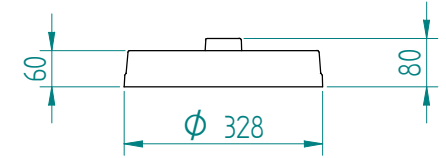
IR :

**MOBILE CONTAINING**



options, order separate;  
push bar: 90.5000

pc cover: 91.5020



4 swivel castors, 2 with brake - stst