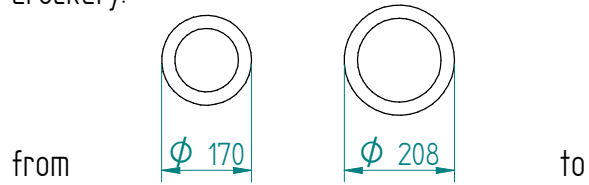
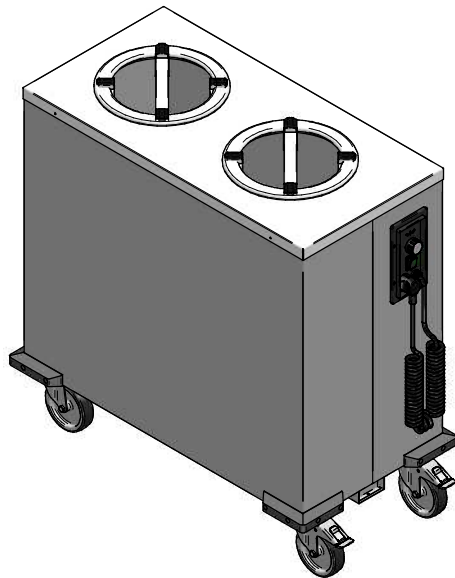


Dispenser: 21.2888 2 THN-MS 210  
heating element 230V-1600W

Crockery:



Dimensions: weight (empty): 53 kg  
A x B = trolley, excl. corner bumpers  
E x F = trolley, incl. corner bumpers  
H = trolley height  
S = effective stacking height  
T = height with push bar

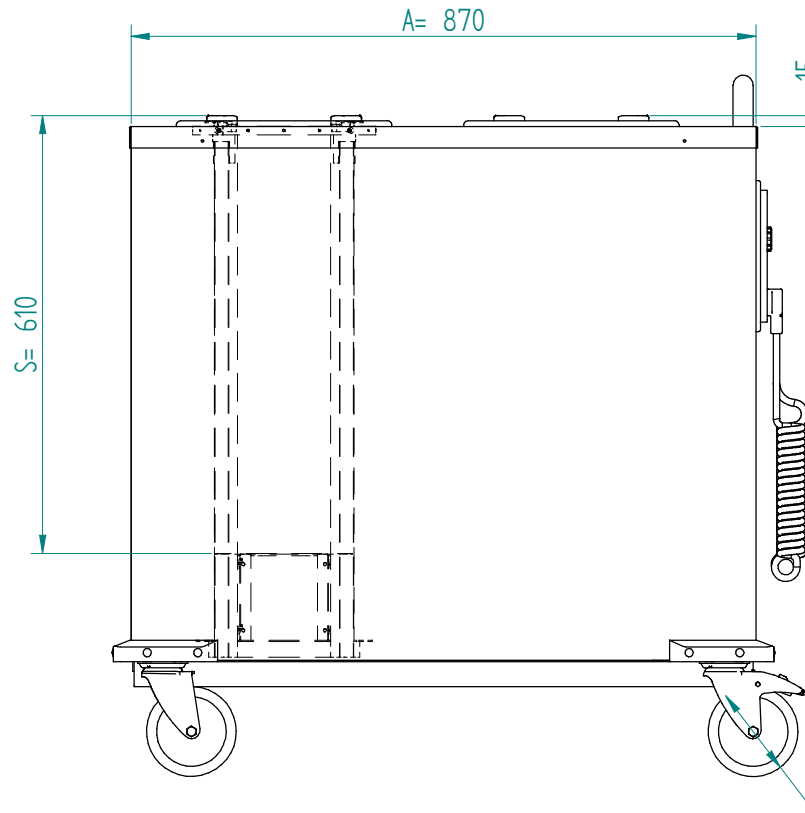
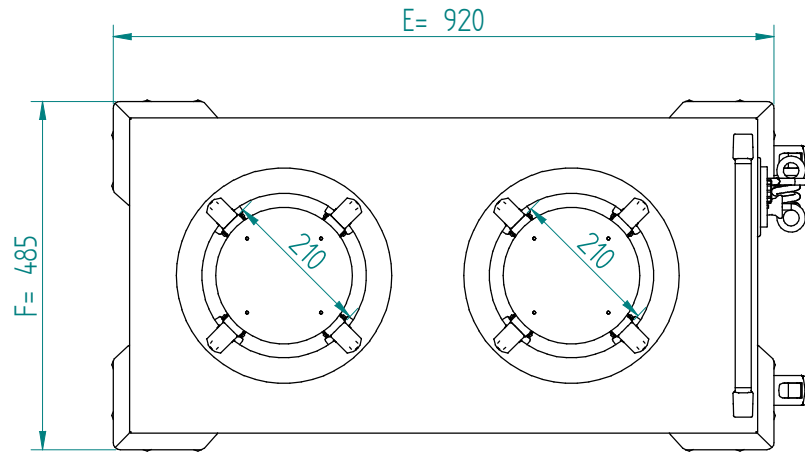


EN

VR :

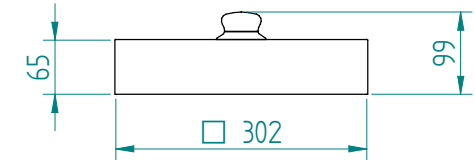
IR :

**MOBILE CONTAINING**

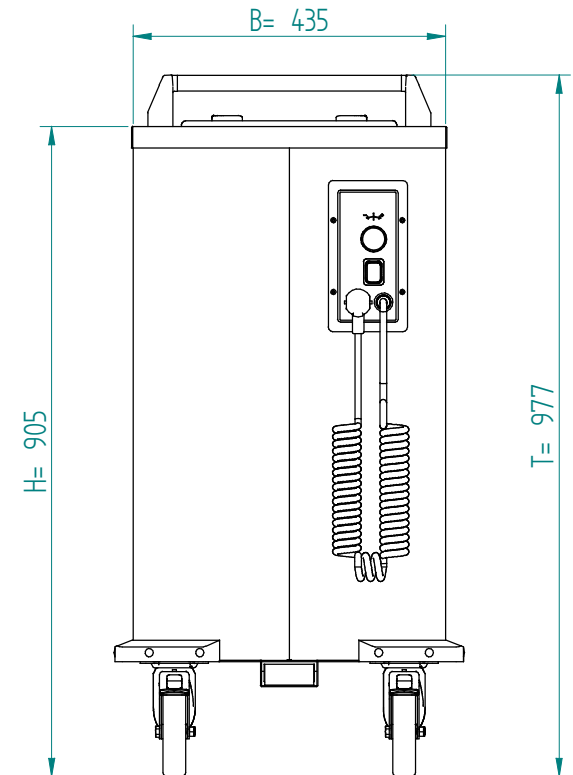
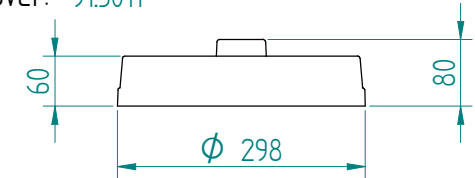


options, order separate;  
push bar: 90.5000

stst cover: 92.5065



pc cover: 91.5011



4 swivel castors, 2 with brake