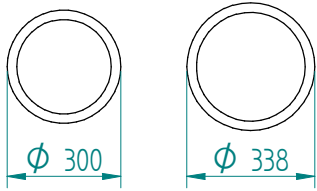


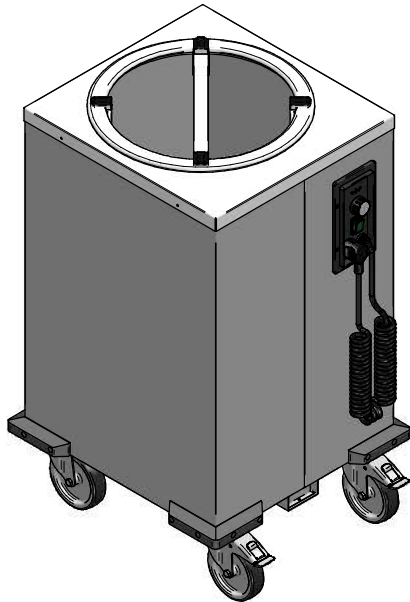
Dispenser: 20.2742 1 THN-MS 340  
 heating element 230V-600W

Crockery:



from  $\phi 300$  to  $\phi 338$

Dimensions: weight (empty): 40 kg  
 A x B = trolley, excl. corner bumpers  
 E x F = trolley, incl. corner bumpers  
 H = trolley height  
 S = effective stacking height  
 T = height with push bar

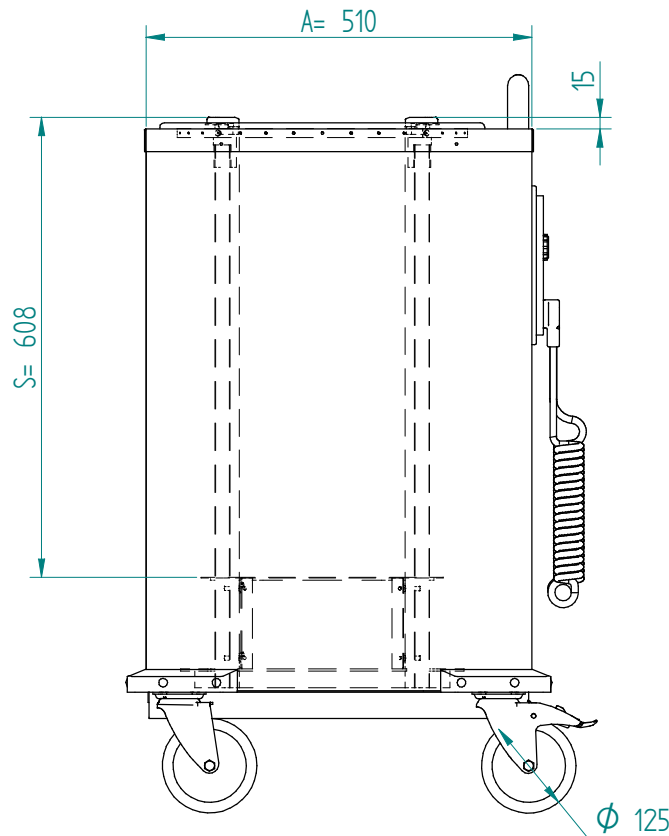
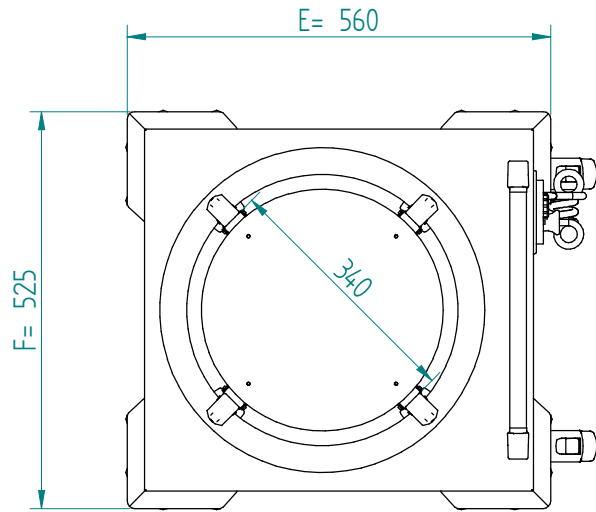


EN

VR :

IR :

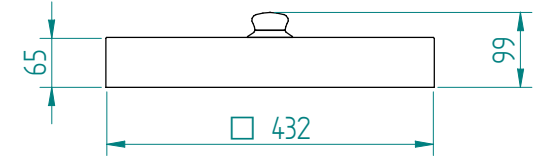
**MOBILE CONTAINING**



4 swivel castors, 2 with brake

options, order separate;  
 push bar: 90.5000

stst cover: 92.5130



pc cover: 91.5044

