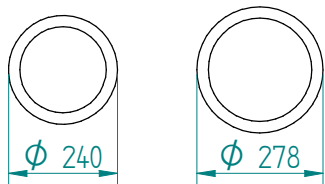


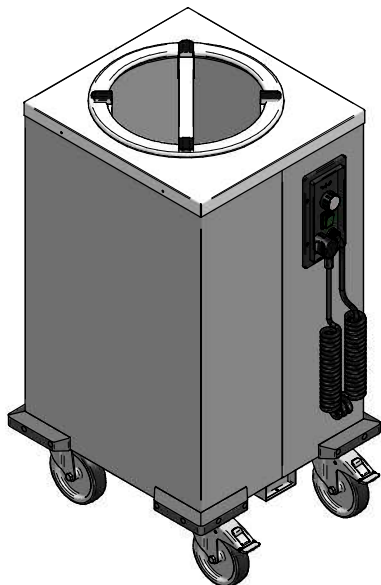
Dispenser: 20.2730 1 THN-MS 280  
 heating element 230V-600W

Crockery:



from to

Dimensions: weight (empty): 36 kg  
 A x B = trolley, excl. corner bumpers  
 E x F = trolley, incl. corner bumpers  
 H = trolley height  
 S = effective stacking height  
 T = height with push bar

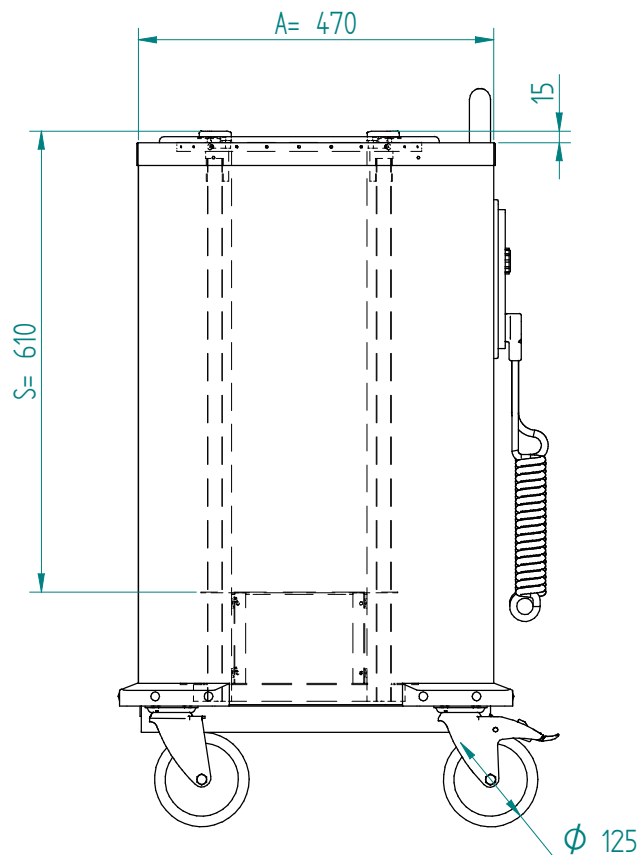
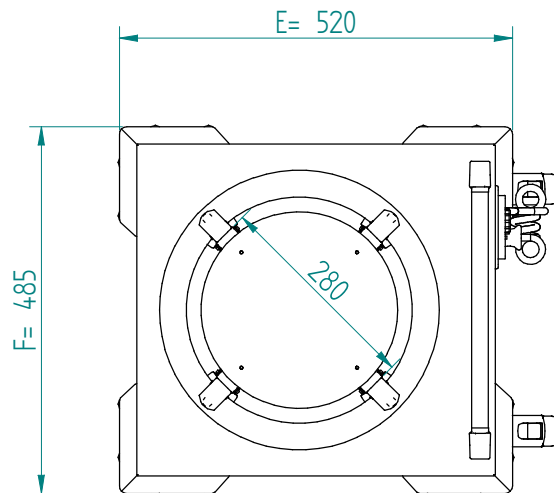


EN

VR :

IR :

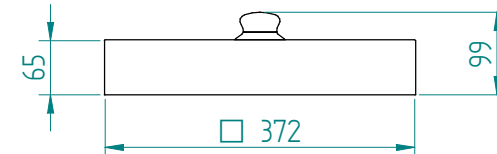
**MOBILE CONTAINING**



4 swivel castors, 2 with brake

options, order separate;  
 push bar: 90.5000

stst cover: 92.5085



pc cover: 91.5031

