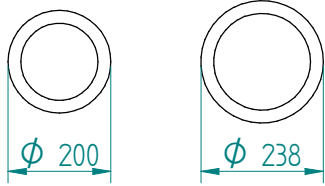


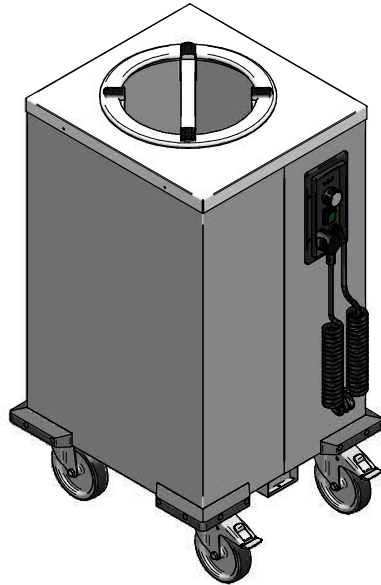
Dispenser: 20.2720 1 THN-MS 240
heating element 230V-600W

Crockery:



from $\phi 200$ to $\phi 238$

Dimensions: weight (empty): 35 kg
A x B = trolley, excl. corner bumpers
E x F = trolley, incl. corner bumpers
H = trolley height
S = effective stacking height
T = height with push bar

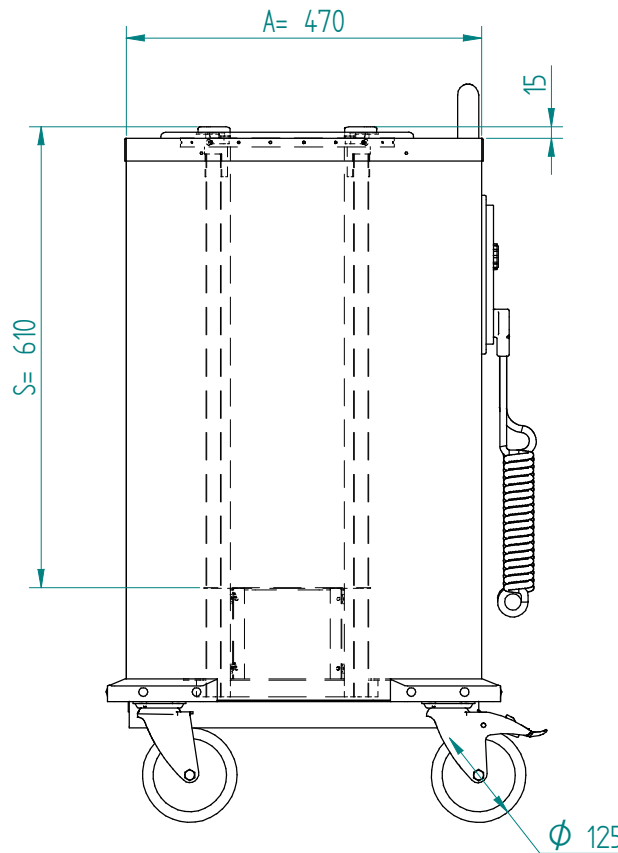
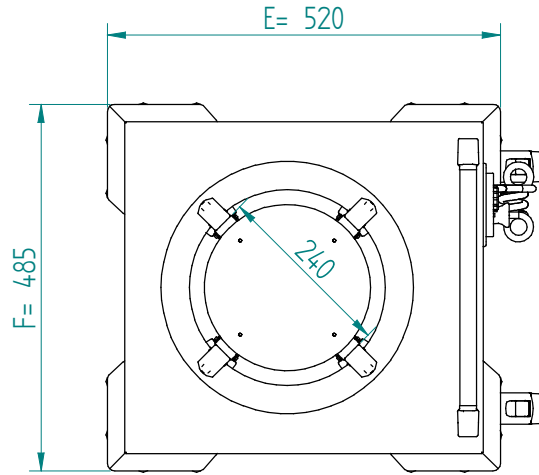


EN

VR :

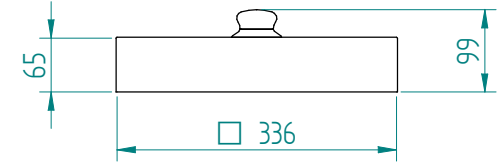
IR :

MOBILE CONTAINING

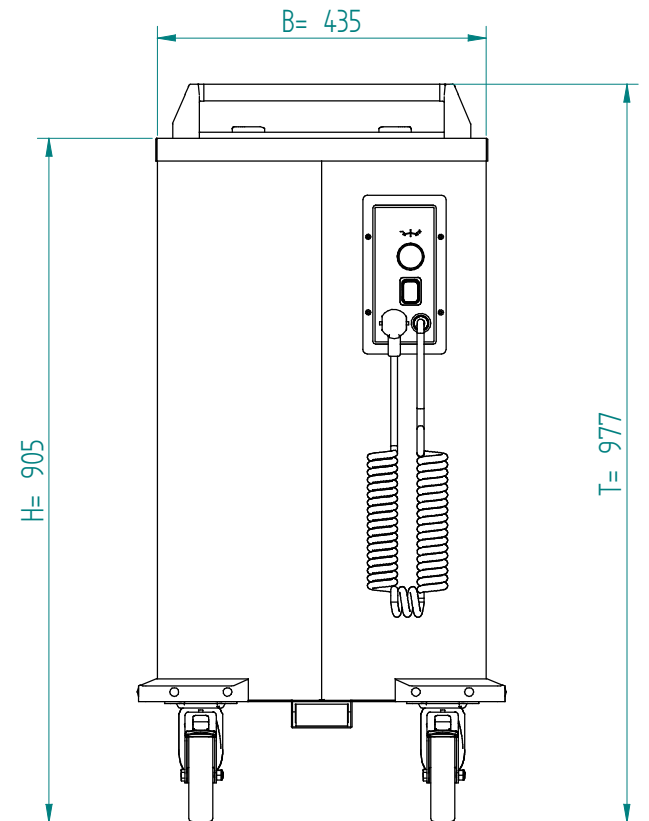
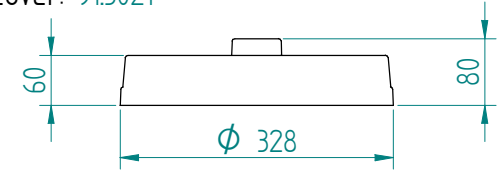


options, order separate;
push bar: 90.5000

stst cover: 92.5075



pc cover: 91.5021



4 swivel castors, 2 with brake