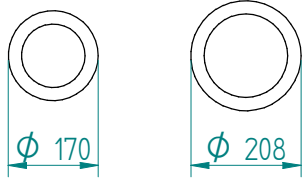


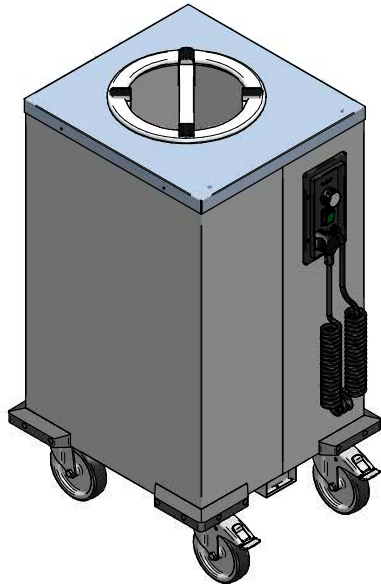
Dispenser: 20.2718 1 THN-MS 210
 heating element 230V-600W

Crockery:



from ϕ 170 to ϕ 208

Dimensions: weight (empty): 35 kg
 A x B = trolley, excl. corner bumpers
 E x F = trolley, incl. corner bumpers
 H = trolley height
 S = effective stacking height
 T = height with push bar

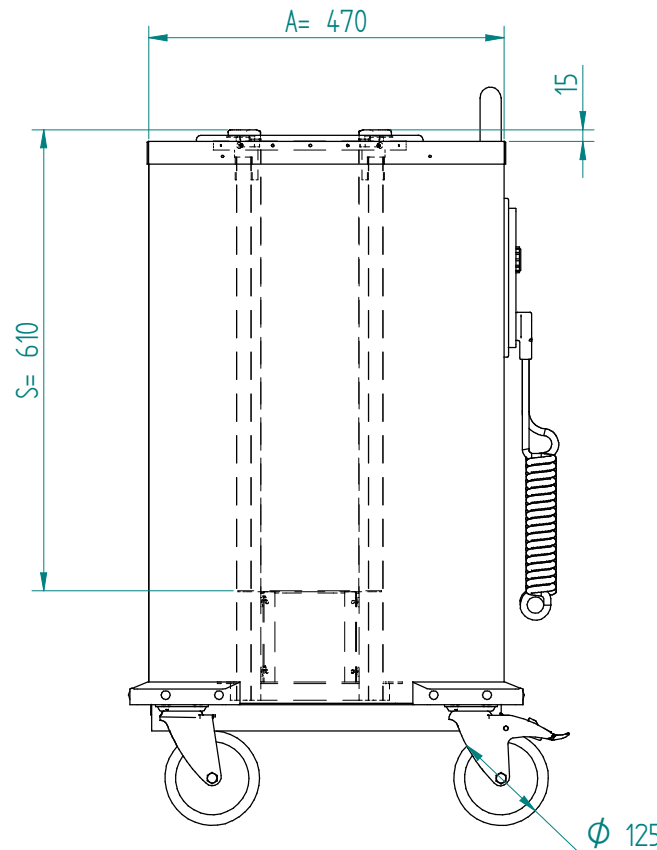
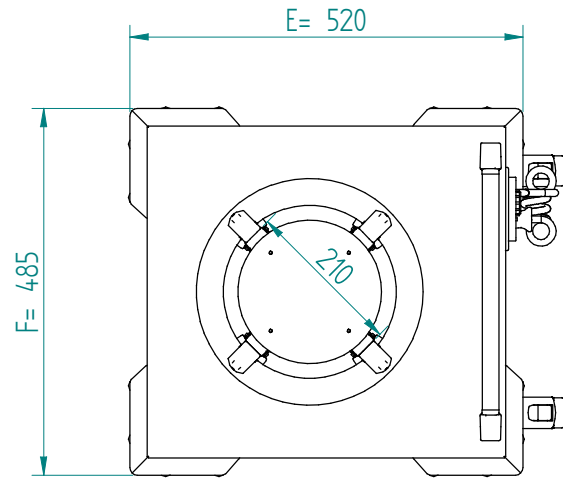


EN

VR :

IR :

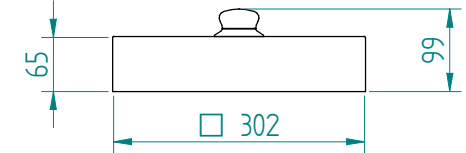
MOBILE CONTAINING



4 swivel castors, 2 with brake

options, order separate;
 push bar: 90.5000

stst cover: 92.5065



pc cover: 91.5011

